

Bellow differential pressure gauge

Model D100

Nominal size: 150 mm (6")

ASME B40.100 / EN 837-1 / IS-3624

Accuracy: Class 1.6 (1.6%) optional class 1 (1%)

Features

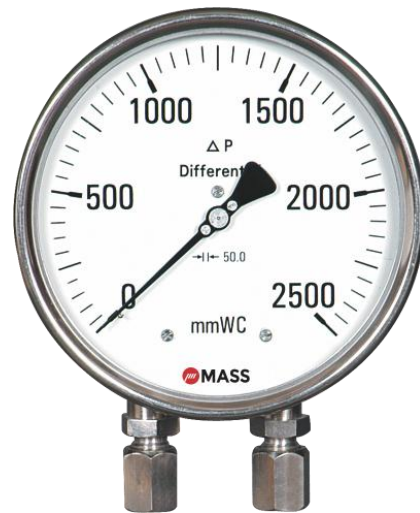
- Stainless steel case and wetted parts
- Static pressure 10 times of the range
- Protection IP65
- High corrosive resistance
- Dry or liquid filled

Ranges

0 ... 100 in H₂O up to 0 ... 150 psi

0 ... 2500 mmWC up to 0 ... 10 bar & kg/cm²

0 ... 25 kPa up to 0 ... 1000 kPa



Applications

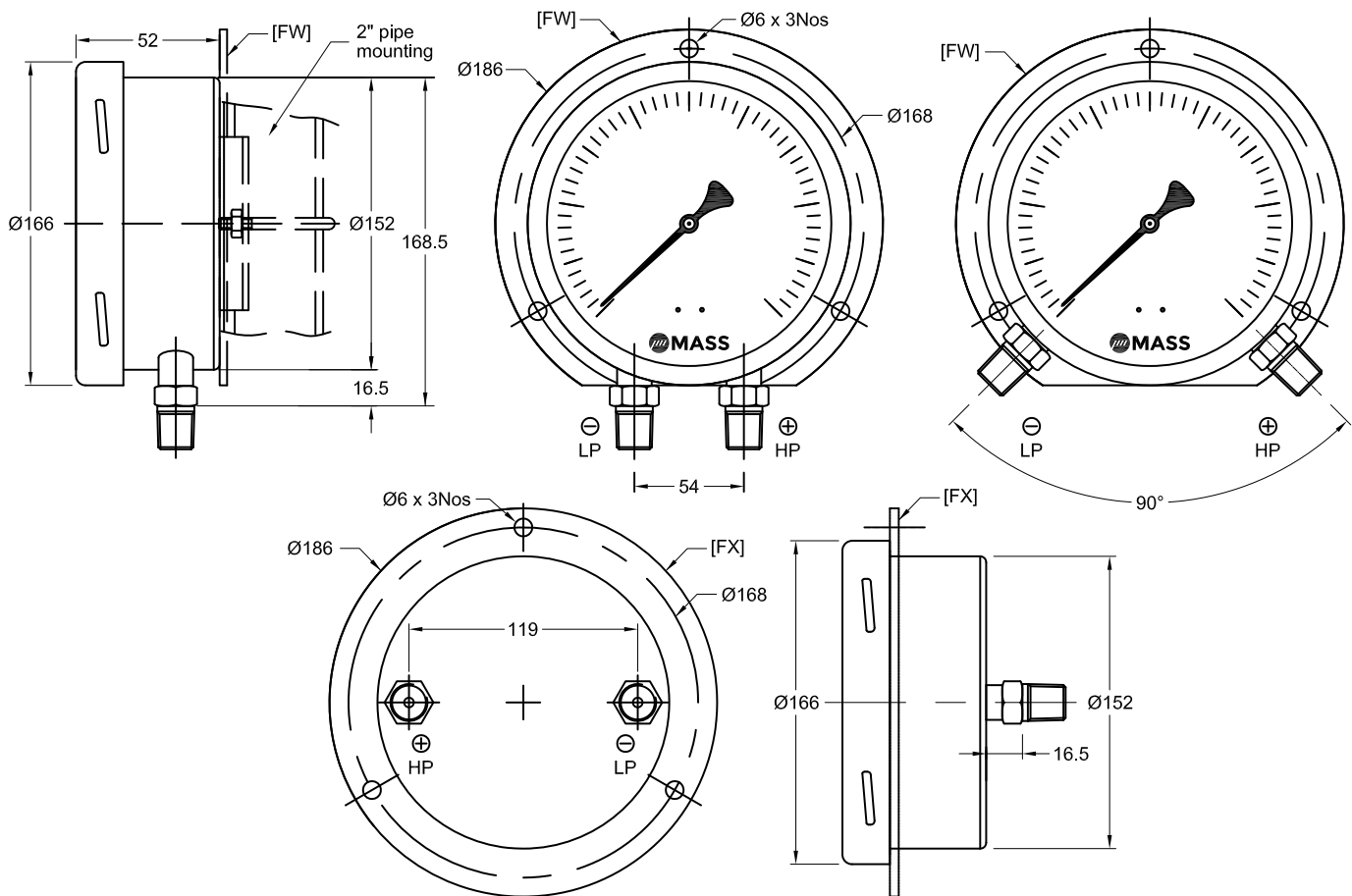
Chemical and petrochemical industry

Machine and apparatus construction

Food and beverage industry

Pulp and paper industry

Technical specification	D100
Dial size [mm]	150
Construction	Open front cylindrical case with bayonet ring
Measuring principle	Twin bellow
Range [mmWC]	2500 4000
[kg/cm ² (or bar)]	0,6 1 1.6 2.5 4 6 10
Max. static pressure	10 times of the range. Static pressure is also maximum pressure allowed on one side
Pressure type	Differential
Process connection	1/4" 1/2" NPT (F), 1/4" 3/8" 1/2" BSP / NPT (M), M20x1.5(M), others on request
Connection location	Lower, 90° lower, back
Material	
Pressure connection	Stainless steel 316L
Measuring bellow	Stainless steel 316L
Case/bayonet ring	Stainless steel 304, optional 316L
Window	Laminated safety glass optional acrylic glass
Dial	Aluminum, black markings on white background
Pointer	Aluminum, black, optional Micrometer Adjustment
Accuracy calibrated ascending	Class 1.6 (1.6 % F.S.) optional 1.0 (1.0 % F.S.)
Permissible	
Ambient temperature	-40 ... 60 °C (-40 ... 140 °F)
Medium temperature	Max. 100 °C (212 °F)
Storage temperature	-40 ... 65 °C (-40 ... 150 °F)
Effect	Max. 0,3 % / 10 K
Protection	IP65
Filling liquids	Glycerin, silicone, others on request
Mounting	Wall mounting, optional 2" pipe mounting, others on request
Weight dry/filled [kg]	1.15 / 2.05
Accessories, options	3 or 5 way remote or direct mounted manifolds, valves

General dimensions in mm

Order information

Size	Type	System material	Execution	Process connection	Connection orientation	Range	Engineering units	Filling/case material	Options
(150) 150mm	D100	(S) 316L process connection and bellow	(L) IP65	(25) 1/4" NPT (F) (50) 1/2" NPT (F) (04) 1/2" NPT (M) (03) 3/8" NPT (M) (02) 1/4" NPT (M) (15) 1/2" BSP (M) (14) 3/8" BSP (M) (13) 1/4" BSP (M) (16) M20x1.5 (M)	(L) Lower (N) 90° Lower (B) Back	0/2500 0/4000 0/ 0,6 0/ 1 0/ 1,6 0/ 2,5 0/ 4 0/ 6 0/ 10	mmWC kg/cm ² (or bar) Equivalent ranges in kPa, MPa, psi, bar and others units available compound ranges on request	(=) Standard no filling (GV) Silicone (GR) Glycerin (GX) Halocarbon (YW) Case material 316L	(NH) Tagging wired (DA) Dial marking (CS) Dual scale (OF) Oil free (MP) Micrometer pointer (FX) Front panel (FW) Surface plate (TM) 2" pipe mounting (AN) Calibration 1 % F.S.

How to order

Size	Type	System material	Execution	Process connection	Connection orientation	Range	Engineering unit	Filling/Case material	Option
150	D100	S	L	04	L	0/1	KG/CM2	=	NH